

## Heat On Demand Advantage® Plus Induction Heating Activator Model ADV700

Aladdin's Heat On Demand Advantage® Plus induction heating activator revolutionizes kitchen operations, giving you features, performance and efficiencies other meal-delivery systems just can't deliver.

Achieve long hot food holding times with or without a heated plate.<sup>1,2</sup> Fast 12 second cycle delivers up to 5 trays per minute.



### Heat On Demand Advantage® Plus Benefits

- Hot food for higher patient satisfaction scores.
- Time-tested design and component reliability.
- Less heating equipment for a cooler kitchen.
- Simple operation for greater employee satisfaction.
- Induction technology provides energy savings.

### Performance

- When using a heated plate, Heat On Demand Advantage Plus maintains food temperatures at or above 140°F (60°C) for 85+ minutes<sup>1</sup>, and for 66+ minutes<sup>2</sup> without using a heated plate.
- 12-second heating cycle, activates up to 5 bases per minute.
- Bases stay cool to the touch and fit standard 9" entrée plates.
- No dish heater required for heating plates.<sup>2</sup>



### Aladdin's Radiance™ dome

When used with our Heat On Demand® Advantage systems, Radiance™ provides the longest hot-food holding time in the industry!

### Construction

- Durable stainless steel countertop design.
- Solid-state electronic controls for enhanced reliability.
- 4-color LED status light for clear visual alerts.
- Robust polymer centering guide for hassle-free base insertion and removal.
- Designed for use in commercial kitchens.

### Standard Features

- New LED status light signals cycle change (white / idle; red / heating; green / ready; yellow / error).
- Automatic voltage calibration adjusts activator settings for 208 to 240 volt power.
- Cycle time not affected by voltage fluctuations.
- Error prevention logic eliminates the guesswork.
- Visual and audible indicators alert when the base is ready.
- Energy saving automatic shut-off.
- Internal fans keep electronics cool during heavy use.
- Base and activator diagnostics.
- Easy to remove washable air filters.
- Easy to clean.



**No reading required!** The prominent **LED status light** displays a different vibrant color at every stage, glowing green when bases are ready, to make visual operation easy.

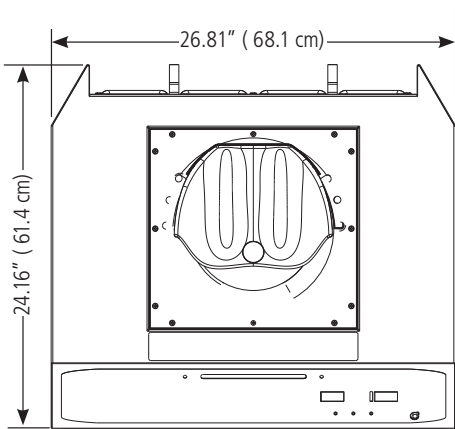


### Sustainability

Efficient induction technology provides significant energy savings.

- 78% - 82% energy savings<sup>3</sup> as compared to a system requiring a convection heated base and plate, depending on the number of meals served per serving period.
- 57% energy savings<sup>3</sup> as compared to a system requiring a convection heated plate and an induction heated base.

# Heat On Demand Advantage® Plus Induction Heating Activator Model ADV700



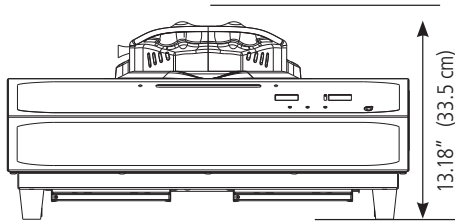
Plan View



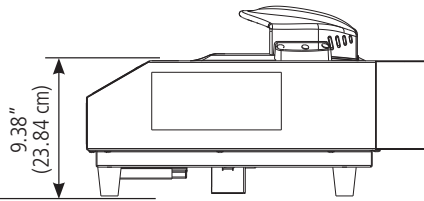
## Advantage Plus System

Advantage® Plus activators use Advantage bases which accommodate standard 9" (22.9 cm) dishware.

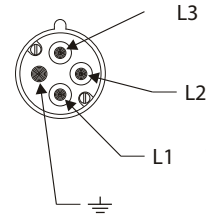
Visit [aladdintemprite.com](http://aladdintemprite.com) to view all color options for IHB26 Advantage bases.



Front Elevation



Side Elevation



430P9W  
Pin and  
Sleeve Plug

## Heat on Demand Advantage® Plus Technical Specifications

Model Number	Electrical <sup>4</sup>	Cord Set/ NEMA Plug <sup>4</sup>	Width	Depth	Height	Weight	Shipping Weight
<input type="checkbox"/> ADV700 208-240v model	Volts: 208-240 volt Hertz: 60 Phase: Three Max amp draw: 23.5 Min. amp capacity: 30	430P9W 5.5' (167.6 cm) cord with pin and sleeve plug	26.81" (68.1 cm)	24.16" (61.4 cm)	13.18" (33.5 cm)	61 lbs. (27.7 kg)	78 lbs. (35.4 kg)

<sup>1</sup>11-oz. (311 grams) of food input at 165°F (74°C) with a 165°F (74°C) heated plate, Aladdin Radiance™ dome (73+ minutes hold time with other Aladdin domes).

<sup>2</sup>11-oz. (311 grams) of food input at 165°F (74°C) without a heated plate, Aladdin Radiance™ dome (60+ minutes hold time with other Aladdin domes).

<sup>3</sup>Energy savings calculations will vary based on exact equipment mix and local energy rates. Percentage savings based on using an ambient plate.

<sup>4</sup>Unit should be operated on a 30-amp dedicated circuit. Wall or raceway receptacle number 430R9W; drop cord connector number 430C9W.

Complies with: Title 47, section 18, FCC; and Title 29, section 1910.97, OSHA.



**FOR SERVICE AND WARRANTY INFORMATION**

**ADV700:**  
1 YEAR, Parts and Labor  
**Centering Guide:**  
2 YEARS Parts



Visit [aladdintemprite.com/patents](http://aladdintemprite.com/patents) for patent information.

250 E. Main St. | Hendersonville, TN 37075 | Customer Service: 800.888.8018 | Tech Service: 800.888.5426 | Fax: 888.812.9956 | [aladdintemprite.com](http://aladdintemprite.com)

©2020 Aladdin Temp-Rite.® All rights reserved. Note: Specifications are subject to change without notice.



Rev. A 520526ADV700

an Ali Group Company



The Spirit of Excellence